

Air Disinfection Purifier





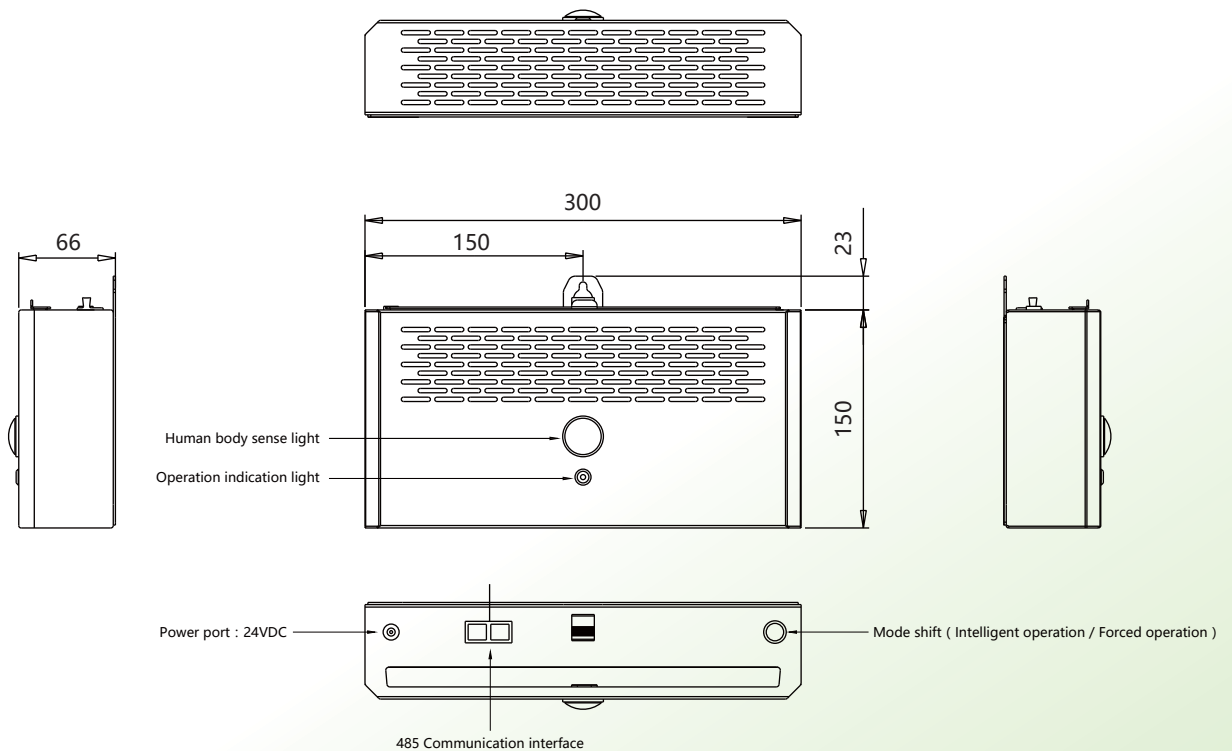
Air Disinfection Purifier

1. Product Outline

- Double functions of highly efficient disinfection and purification
- All-round disinfection and purification of elevator air and walls
- Peaceful coexistence of human and machine to realize real-time disinfection and purification
- Ultrar-thin design for easy installation and maintenance
- Intelligent biological recognition
- Internet of Things optional

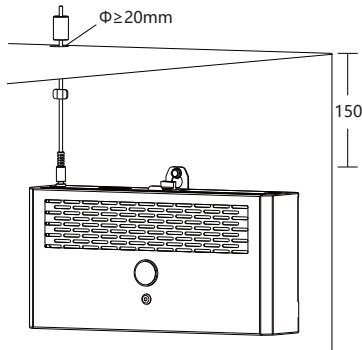


2. External Dimension



3. Ways of Installation

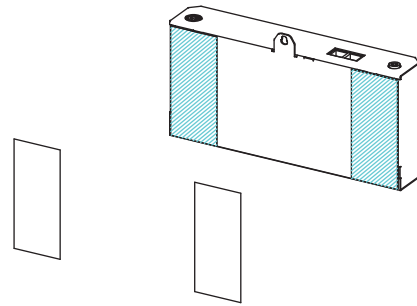
1. It is recommended to punch the bottom hole 150 mm from the top of the cage side wall.
 (Reserving top routing and operating space, and the crossing diameter is recommended to be no less than 20mm)
 ps. The positioning holes is recommended as 4.5mm for plate of 1.5-1.8mm in thickness;
 and 4.6mm for plate of 1.8-2.5mm in thickness. < Schematic diagram 1 >



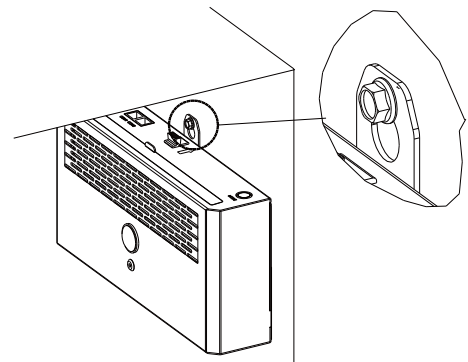
< Schematic diagram 1 >

3. Align the hanging hole on the top of purifier with positioning hole and attach the machine on the wall.
 Then screw in self-tapping bolt slowly with electrical screwdriver and hexagon sleeve.
 ※ The torque varies according to different plate thickness and material.
 Pls screw with small strength to avoid the breakdown of bolt and adjust the strength little by little. < Schematic diagram 3 >

2. Tear off 3M tape on back of machine .
 < Schematic diagram 2 >



< Schematic diagram 2 >

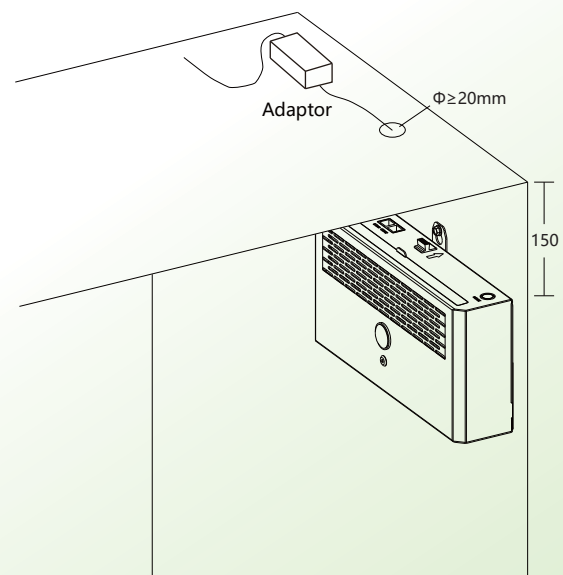


< Schematic diagram 3 >

4. Main Components

Connect adaptor and purifier < Schematic diagram 4 >
 and plunge the other end of cable into 220V power source.
 Then the disinfection machine works by pressing the button.

Way of control



< Schematic diagram 4 >

5. Performance Parameter

1	Circulating air volume	60m ³ /h @0Pa
2	Disinfection bacteria-killing technology	Germagic slow-released molecules + wholly-closed UV photo catalyst
3	Disinfection efficiency	99%
4	Killing rate of virus(influenza A and B virus)	99%
5	Killing rate of MERS coronayirus	98%
6	noise	45dB(A)@1m
7	Way of air flow-in and flow out	Breathe in from bottom and return from front
8	Rated voltage of adaptor	220V 50/60Hz
9	Max operation current	1.2A(24V DV)
10	Output voltage of adaptor(connecting to product)	24V DC
11	Rated power	30W
12	Standby power	3W
13	Range of working temperature	-20°C ~ 45°C
14	Range of working humidity	Relative humidity from 5% to 95%
15	Maintenance requirement	Top maintenance of filter
16	Maintenance period(Germagic slow release molecular filter)	90 days(normal)
17	Maintenance period(UV photo catalyst assembly)	360 days
18	External dimension(width×height×thickness)	300*150*66mm
19	Net weight	1.5KG

6. Related Tests

Lab Test Result

VIRUS				BACTERIA				MDROs			
Type	Killing rate	killing time (min)		Type	Killing rate	killing time (min)		Type	Killing rate	killing time (min)	
H1N1 swine flu & H1N1	> 99.9%	1		Mycobacterium tuberculosis	> 97%	60		MRAS	> 99.9%	1	
Influenza B	> 99%	1		Legionella pneumophila	> 99.9%	1		MRPA	> 99.9%	1	
H3N2	> 99%	1		Staphylococcus aureus	> 99.9%	1		VRE	> 99.9%	1	
H7N9	> 99.9%	1		Aspergillus niger	> 99.9%	1		Imipenem-resistant Acinetobacter	> 99.9%	1	
NOVs, Measles	> 99.9%	1		Candida albicans (fungus)	> 99.9%	1					
EV71	> 99%	1		Coliform bacteria	> 99.9%	1					
MERS-CoV	> 98%	60		Bacillus pneumoniae	> 99.9%	1					
				More than ten others	> 99%	1					