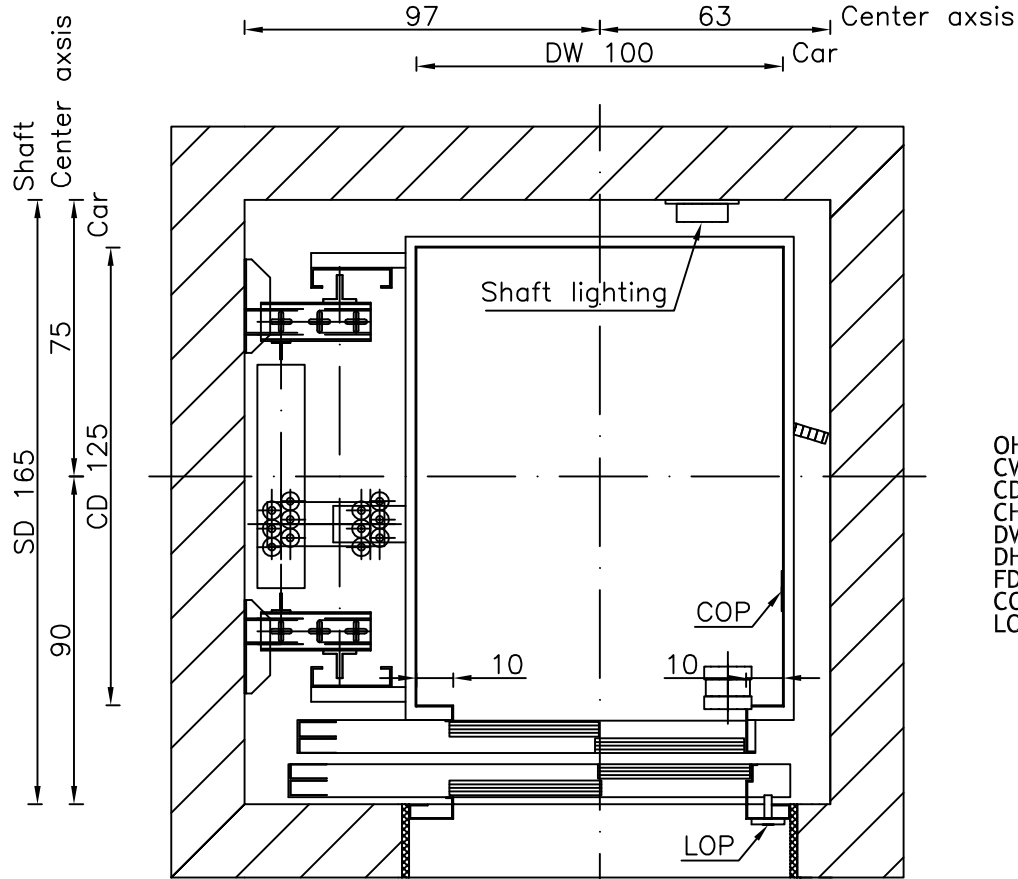
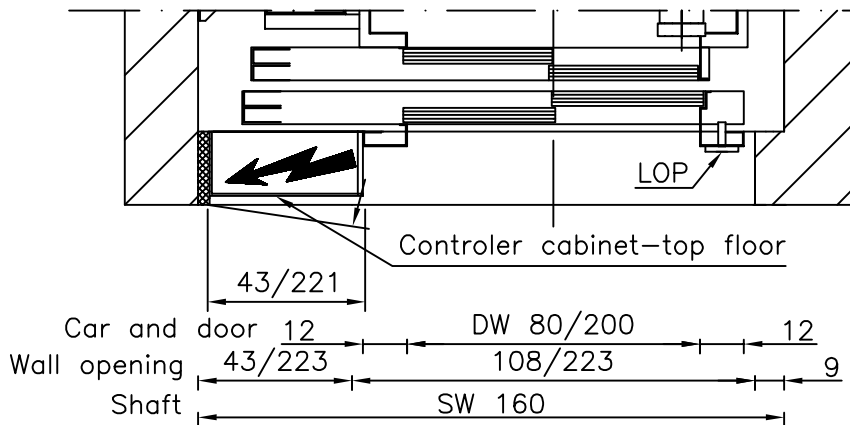
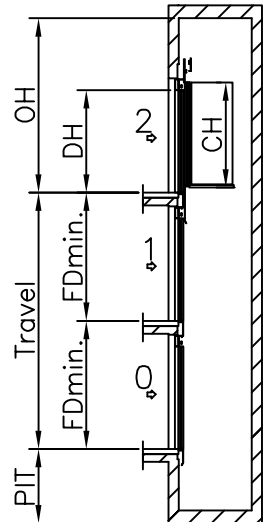
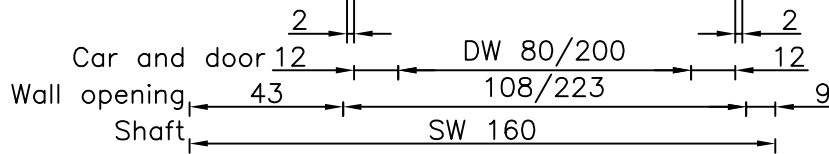


Well

All dimensions may not exceed perpendicular tolerance of ± 2 cm



- OH = Overhead
- CW = Car width
- CD = Car depth
- CH = Car height
- DW = Door width
- DH = Door height
- FD = Floor distance
- COP= Car Operating Panel
- LOP= Landing Operating Panel



Speed: 1 m/s	
PIT: 120 cm	
OH: 360 cm	
CW: 100 cm	DW: 80 cm
CD: 125 cm	DH: 200 cm
CH: 210cm	
FDmin.: 250 (CH+50 cm)	

TYPICAL POWER REQUIREMENTS	
Motor Power (k.W.)	2,8kW
Running current	10,8A
Starting current	16 A
Overload current	20,8A

Type: Gearless MRL 480 kg TL8

Drawn By:	Tomi Irgotič	
Date:		
Revision:	00	Page:
ELECTRIC		A4
		1:20
		23

Dimensions in cm.