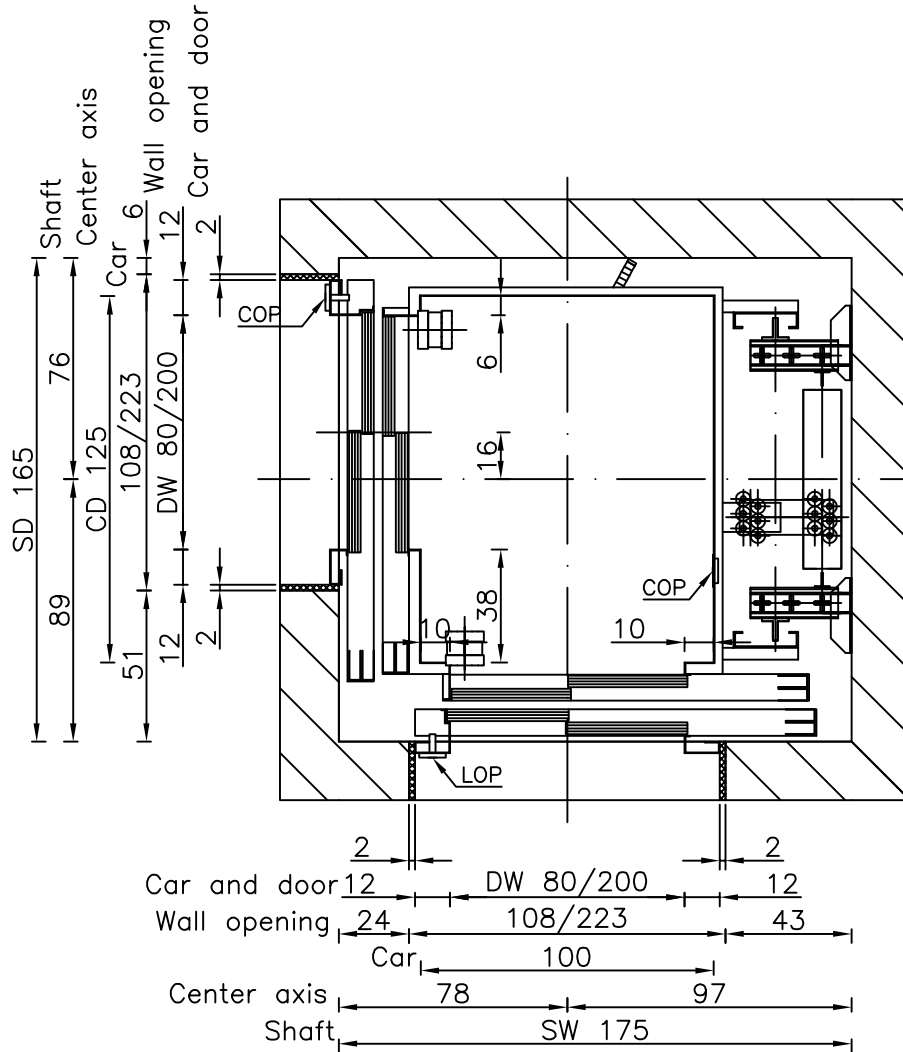
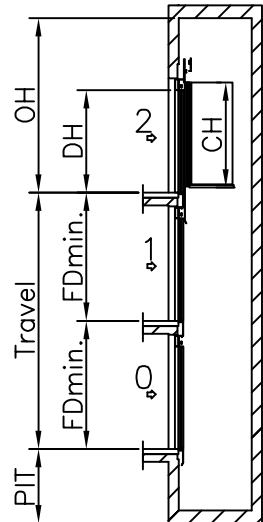
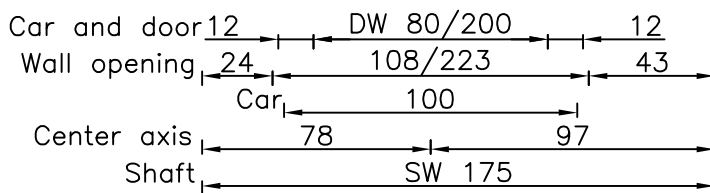
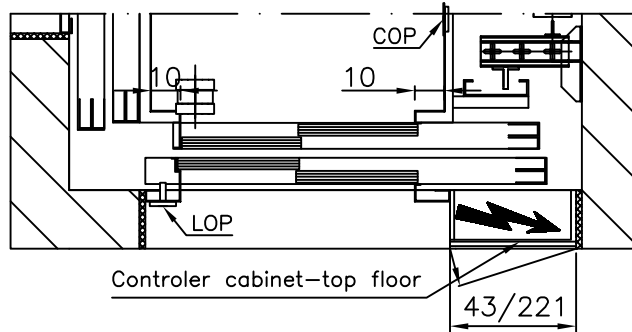


# Well

All dimensions may not exceed perpendicular tolerance of  $\pm 2$  cm



OH = Overhead  
 CW = Car width  
 CD = Car depth  
 CH = Car height  
 DW = Door width  
 DH = Door height  
 FD = Floor distance  
 COP= Car Operating Panel  
 LOP= Landing Operating Panel



Speed: 1 m/s	
PIT: 120 cm	
OH: 360 cm	
CW: 100 cm	DW: 80 cm
CD: 125 cm	DH: 200 cm
CH: 210cm	
FDmin.: 250 (CH+50 cm)	

TYPICAL POWER REQUIREMENTS	
Motor Power (k.W.)	2,8kW
Running current	10,8A
Starting current	16 A
Overload current	20,8A

Type: Gearless MRL 480 kg TR8-TR8

Drawn By:  
Tomi Irgotič  
Date:  
05.02.2007



ELECTRIC

A4  
1:25

Revision:  
00

Page:  
54

Dimensions in cm.