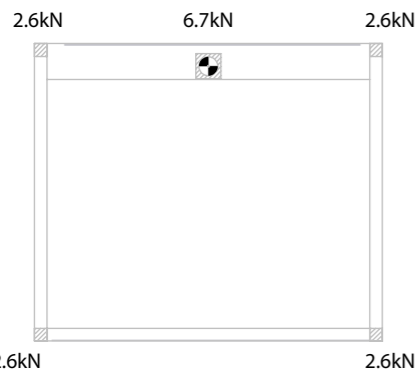


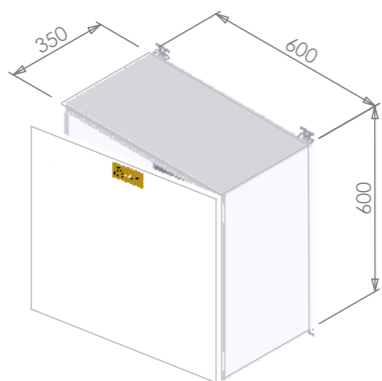
Third Angle Projection
Remove All Sharp Edges
Do Not Scale
If In Doubt - Ask



ENCLOSURE WEIGHT IS DIRECTLY RELATED TO TRAVEL AND PLATFORM SIZE.

LOADING DETAIL CONTAINED IN THIS DRAWING IS FOR INFORMATIONAL PURPOSES ONLY.

DETAILS ARE BASED ON A LIFT WITH A TRAVEL OF 6000mm AND AN ENCLOSURE WEIGHT OF 1250Kg



POWERPACK POSITION WILL CHANGE TO SUIT SITE CONDITIONS.

CLIENT TO SUPPLY A SINGLE PHASE SUPPLY, DOUBLE POLE CONTROL SWITCH RATED AT 20A FUSED AT 15 A. LOCATED NEXT TO POWERPACK.

AS STANDARD, WALL MOUNTED ON A STRUCTURE CAPABLE OF A MAXIMUM LOAD OF 75kg FLOOR MOUNTING AVAILABLE.

THE LIFT WILL NEED TO BE SECURED BACK TO THE FACE OF THE THRESHOLD VIA 2 FIXINGS. EACH FIXING WILL NEED TO BE CAPABLE OF WITHSTANDING 2.5kN.

PIT MUST BE CENTRAL TO LIFT POSITION AND UP AGAINST ANY THRESHOLD FACE. BASE AND SIDES MUST HAVE BE SMOOTH, FLAT AND LEVEL TO WITHIN ±10mm

WHERE A PIT IS NOT VIABLE, A RAMP WILL BE FITTED CENTRALLY TO THE DOOR APERTURE.



NOTE. PIT OPTION INTERNAL ONLY

File Location

CLIENT TO PROVIDE

ADEQUATE LIGHTING FOR BOTH LANDING ENTRANCES.
LANDING ENTRANCES TO BE FREE FROM HAZARDOUS OBSTRUCTIONS, PLUMB, SMOOTH AND LEVEL.
ALL SHAFT WALLS TO BE SMOOTH AND PLUMB

IF CONDUIT IS REQUIRED TO BE RECESSED INTO WALLS FROM THE POWERPACK THE CLIENT MUST PROVIDE THIS, ALLOWING FOR A Ø 50mm CLEAR SPACE AND DRAW WIRES

TECHNICAL INFORMATION

- RATED LOAD 400Kg
- TRAVEL SPEED 0.08m/sec
- POWER REQUIREMENTS SINGLE PHASE 230V
- CONTROL SYSTEM VOLTAGE 24v DC

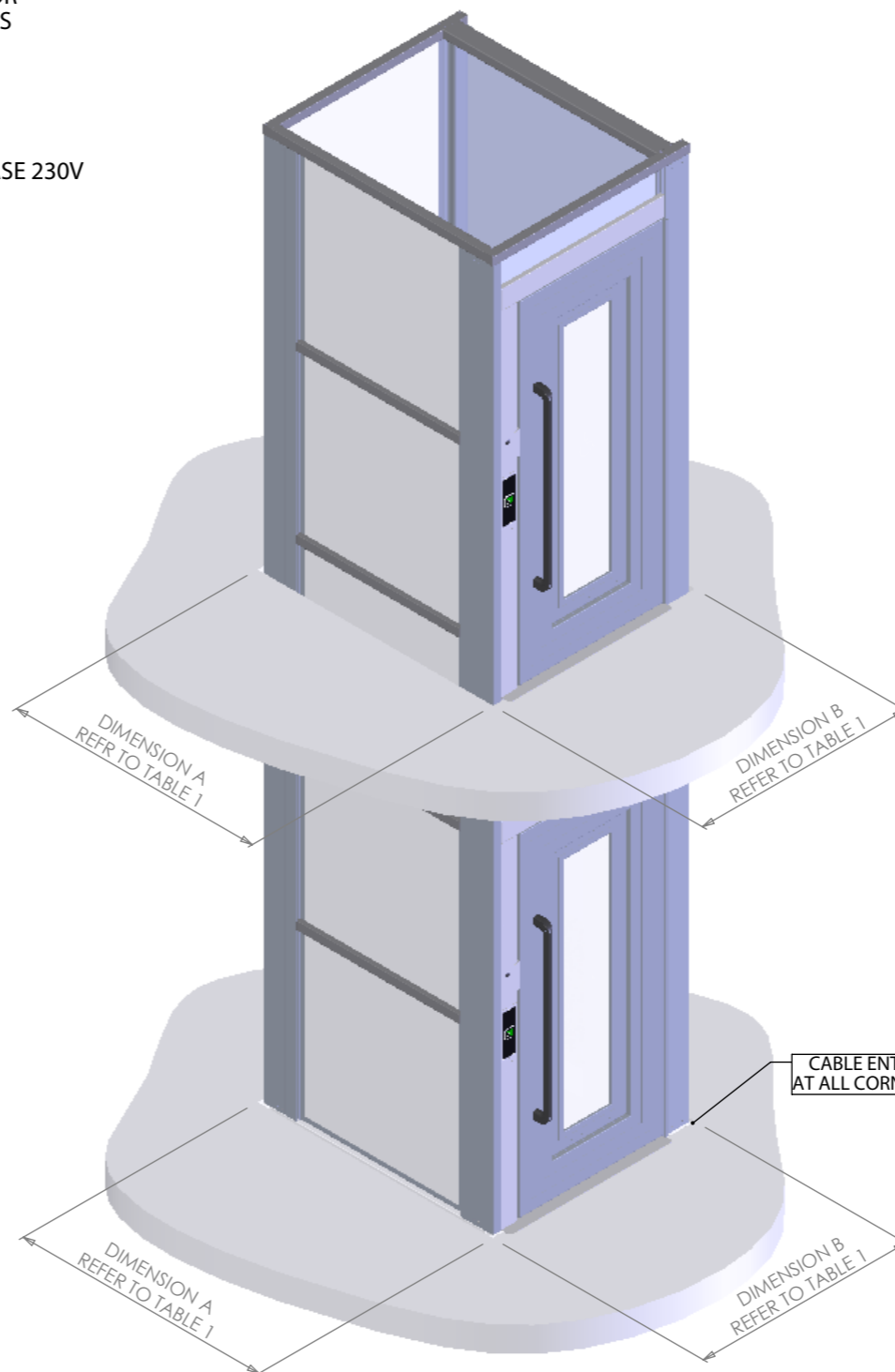
TABLE 1

PLATFORM (mm)	DIMENSION A	DIMENSION B	PIT DEPTH
1260x900	1410	1210	60
1400x900	1550	1210	60
1400x1100	1550	1410	60

THE FLOOR APERTURE MUST BE PERFECTLY ALIGNED WITH THE PIT.
ALL DIMENSIONS TO MATCH AND WITHIN A TOLERANCE OF -0/+10mm.

TABLE 2

TRAVEL	CLEARANCE
2001-5000mm	2350mm
5001-5500mm	2450mm
5501-6000mm	2650mm



All dimensions are in mm unless otherwise stated.
TOLERANCES unless otherwise stated:
Decimal Places:
X = ±1
X.X = ±0.25
X.XX = ±0.13
ANGULAR: ±0.5°
Thread ISO Coarse Class 6
Hole sizes = H11

DRAWN BY: DSM DATE: 03/02/2011
MATERIAL: REFER TO DETAILS
FINISH: REFER TO SALES SPEC
Weight: 2222.78
SCALE: 1:30 Sheet Size A3

Alteration	Initials	Date	Issue
PRODUCTION RELEASE	DSM	16/02/2011	A

TITLE:
A3 Lift
2001- 6000mm

