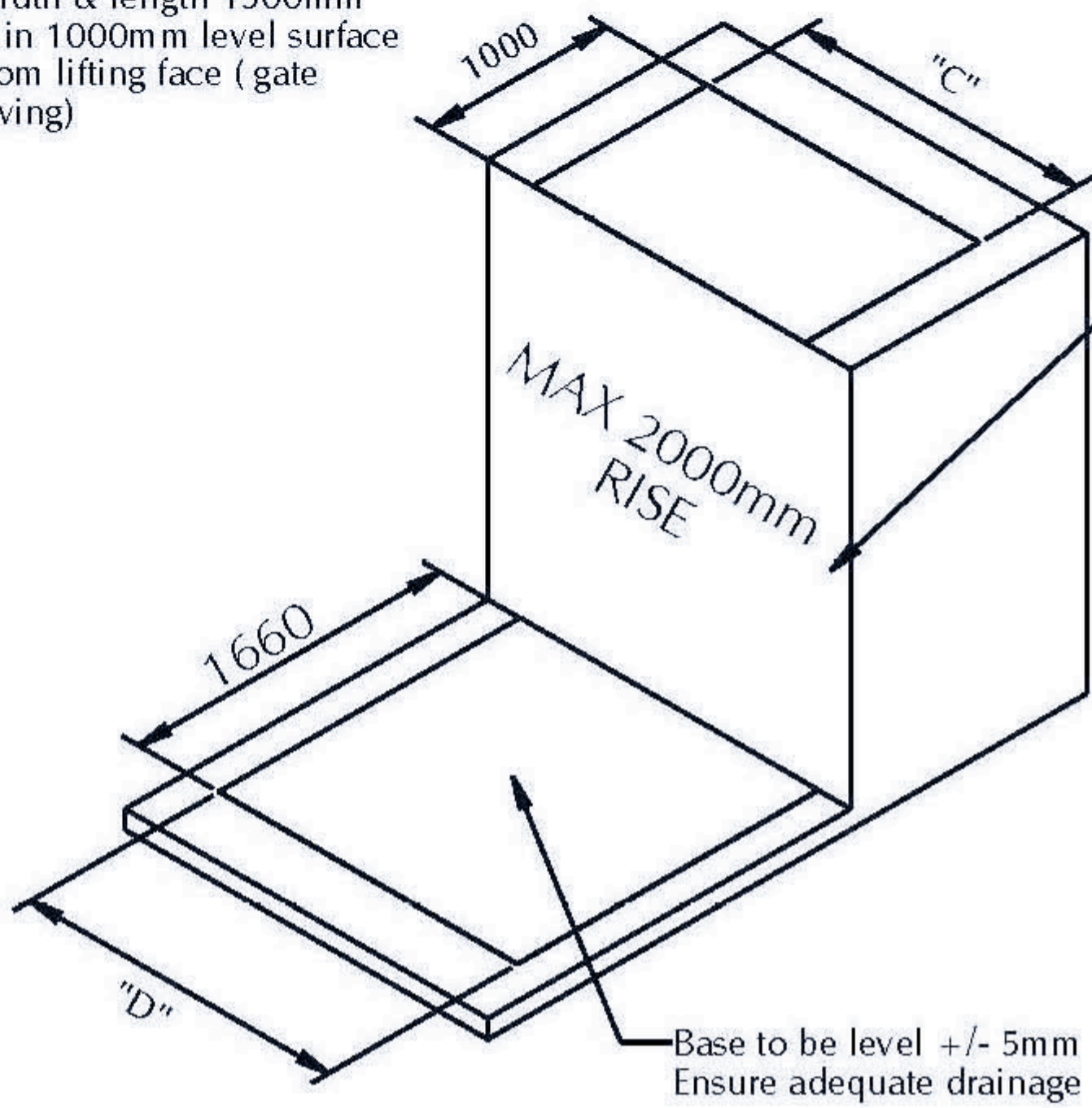


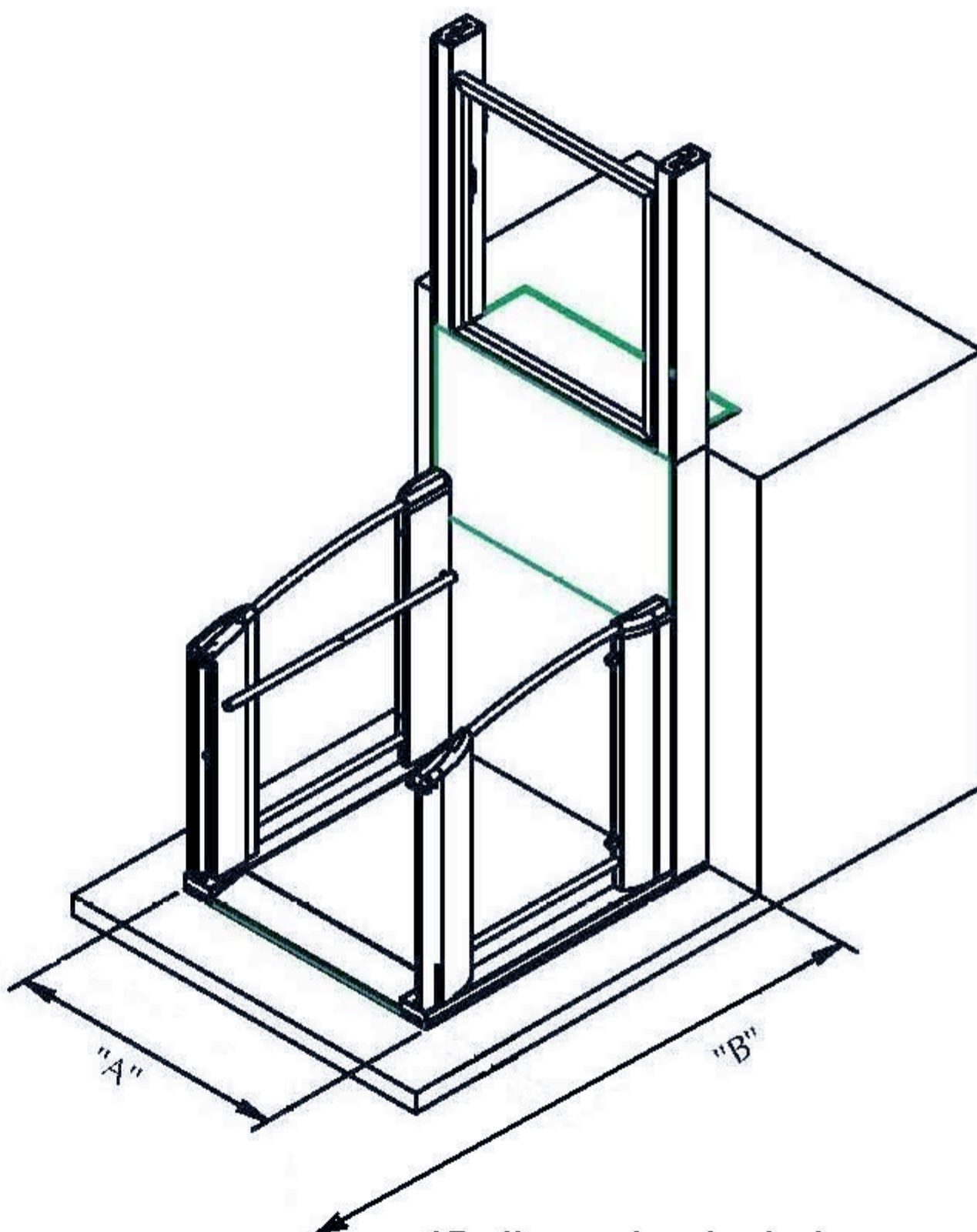
Min thickness 200mm
 Min width & length 1500mm
 Min 1000mm level surface
 from lifting face (gate
 swing)



min head clearance 2m + travel

Lift Size	"A"	"B"	"C"	"D"
800W	1110	3150*	1150	1150
900W	1210	3150*	1250	1250
1100W	1410	3150*	1450	1450

Lift must NOT be located over external services
 e.g. mains water stop tap. manhole etc.



*B dimension includ
 1500mm x1500mm Circulation
 Space or straight access.
 Min level surface from front edge
 of base (gate swing)

